

SUBMITTAL/TECHNICAL DATA SHEET



SKU: **L 50TB**

SINGLE LEAF ROOF ACCESS HATCH

SPECIFICATIONS

01. Thermally broken curb with integral capflashing 11 ga. Aluminum (Corners fully welded)
02. Thermally broken cover-11 ga. aluminum
03. Cover liner-18 ga. aluminum
04. 3" [75mm] polyisocyanurate curb insulation
05. 3" [75mm] polyisocyanurate curb insulation
06. EPDM gasket (All around cover)
07. Pintle hinge - Stainless steel type 316
08. Bilclip® flashing system
09. Slam latch (2 point) with inside and outside handles with padlock hasps
10. Lock strike and padlock hasp
11. Lifting mechanism with reinforced composite tubes and compression springs
12. Automatic hold open arm with Red vinyl grip and cover release
13. Arm guide bracket
14. Guide arm

SHOP FINISH

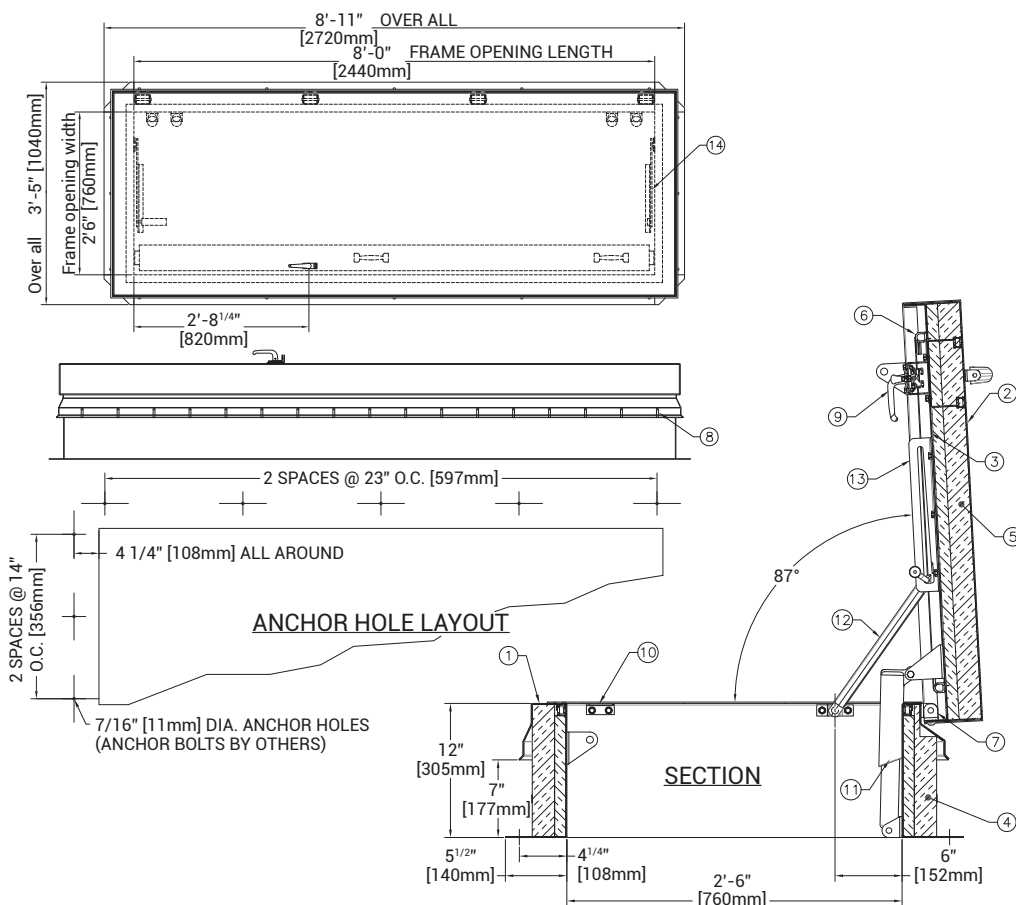
ALUMINIUM: Mill finish
HARDWARE: Corrosion resistant
(Unless otherwise specified)

NOTES:

This product may be installed on either a flat or sloping roof. When installed on a slope, the hinge side must run parallel with the slope. If slope exceeds 30°, advise factory for modification.

DIMENSIONS AND APPEARANCE

>> CLICK TO VIEW ADDITIONAL DETAILS AND PRICING <<



For a complete list of options visit www.AccessDoorsAndPanels.com

QTY	TYPE	SIZE WIDTH X LENGTH
	L-50TB	2'-6" X 8'0" 760mm X 2440mm HINGE SIDE

PROJECT DATA

Custom Sizes Available - Fast!

PROJECT NAME :	QTY	W	H	OPTIONS
ARCHITECT :				
DEALER :				
CONTRACTOR :				
LOCATION :	SPECIAL INSTRUCTIONS :			
DATE :	SUBMITTAL APPROVAL : (signature or stamp)			
TAGGING INSTRUCTIONS :				

Scan or Click



To view Pricing and Additional Product Info.

TELEPHONE:
1-888-457-1275
FAX:
1-888-626-2907



PO BOX 66738 #76520,
SAINT LOUIS, MO
63166-6738
USA



WEBSITE:
www.AccessDoorsAndPanels.com
E-MAIL:
info@AccessDoorsAndPanels.com